

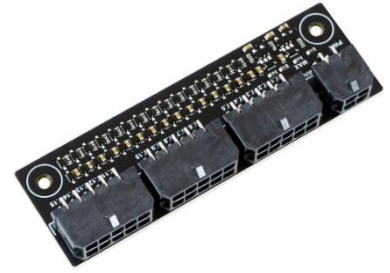


Temperature Sensor Extension Board

Product Code: TBB011A

Introduction

The **Temperature Sensor Extension Board** allows to connect up to 15 external temperature sensors. It allows to connect 3 different sets of 5 external temperature sensors (ETS05-45). The Temperature Sensor Extension Board is only compatible with CCGM (Centralized Can Cell Group Module).



Applications

- CCGM Centralized systems
- Master Slave Clustered Centralized CCGM with CAN filters
- Increase the maximum number of temperature sensors managed by a CCGM
- Displays Maximum and Minimum temperatures measured

Features

- Unused temperature sensors slots must be scratched from the bottom of the PCB to cut the tracks
- Increases the maximum number of external temperature sensors (10kΩ NTC) up to 15

Mechanical Information

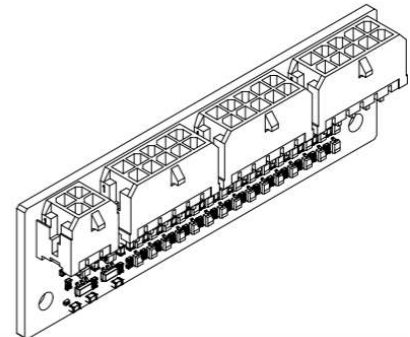
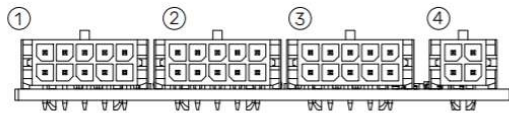
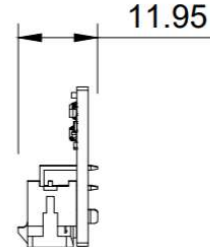
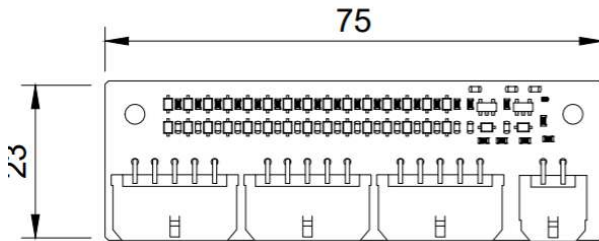


Table 1. TBB011A connector type

Connector number	Connector	Terminal	Purpose
1	Microfit 43045-1000 Temp connector	43030-0003 (recommended crimp tool Molex Hand Crimp Tool P/N: 638190000)	ETS*
2			ETS
3			ETS



Temperature Sensor Extension Board

Battery Management Systems

battery made simple

Remote Monitoring ready 

Reviewed by I.R.R on 2024-April-16

Product Code: TBB011A

Connector number	Connector	Terminal	Purpose
4	Microfit 43020-0401 Temp connector	43025-0400 (recommended crimp tool Molex Hand Crimp Tool P/N: 638190000)	CAN

*ETS = External temperature Sensor

Electrical Characteristics

Table 2. TBB011A power consumption

Devices	Consumption (mA)
TBB011A	4.7mA
TBB011A + 5x ETS	5.2mA
TBB011A + 10x ETS	5.5mA
TBB011A + 15x ETS	5.9mA

*Consumption values include CCGM consumption

WEB

 www.emusbms.com

REQUESTS

 sales@emusbms.com

SERVICE

 support@emusbms.com

PHONE / WHATSAPP

 +370 686 45554