

Introduction

The **Display Unit** is a device dedicated to monitor battery status and other Emus BMS activity data in real time. It is designed for use indoors having glare-free, high contrast and wide viewing angle display and control knob for accessing various information. Device has RS232 for communication with EMUS BMS Control Unit and Micro USB interface for firmware update.



Applications

- Electric vehicles
- Energy Storage Systems

Features

- RS232 interface for connection to EMUS G1 Control Unit
- USB interface for connection to Windows OS based PC
- High contrast and wide viewing OLED display
- Two different interface modes: Energy storage and electric vehicle

Mechanical Information

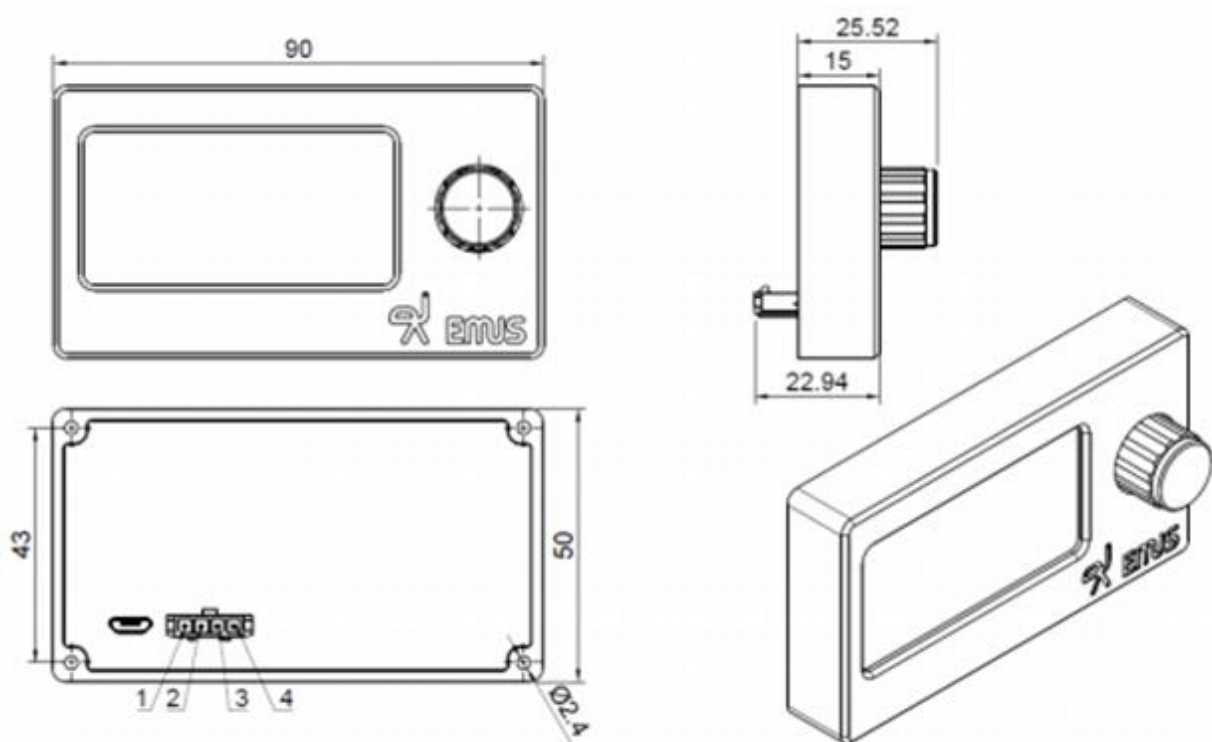


Table 1. DU011A pin assignment

Pin No.	Assignment	Mating Housing	Terminal
1	GND	Molex 43645-0400	43030-0003 (recommended crimp tool Molex Hand Crimp Tool P/N: 638190000)
2	RS232 RX		
3	RS232 TX		
4	PWR		



Display Unit

Battery Management Systems

battery made simple

Remote Monitoring ready

Reviewed by I.R.R on 2024-April-16

Product Code: DU011A

Electrical Characteristics

Table 2. DU011A electrical characteristics

Item	Conditions	Value
Supply voltage	-	9 to 32 VDC (24 VDC typical)
Power supply reverse polarity protection	-	Yes
Current consumption	Supply voltage = 12 VDC	30 mA
	Supply voltage = 24 VDC	15 mA
USB controller	-	FT232R

Other Specifications

Table 3. DU011A other specifications

Item	Value
Operating temperature	-10 to +60 °C
IP rating	IP40
Weight	94 g (158 g with cable)
Display type	OLED
Display color	White
Screen resolution	128 × 64
Screen size	2.42"
Screen brightness	60 - 80 cd/m ²
Screen contrast	10000:1
Viewing angle	173 °
USB type	USB micro
Cable length	2.0 m

WEB

www.emusbms.com

REQUESTS

sales@emusbms.com

SERVICE

support@emusbms.com

PHONE / WHATSAPP

+370 686 45554