

Smartphone Connectivity Module (SCM030A)

INTRODUCTION

Emus BMS Smartphone Connectivity Module is low energy adapter that allows to wirelessly monitor various battery parameters in real time on any Android and iOS device using Emus EVGUI app, or any PC running Windows operating system, using the usb dongle. The Smartphone Connectivity Module connects to the main controller using RS232 interface. A compatible EMUS EVGUI App is available on Google Play and App Store in Apps downloads section.



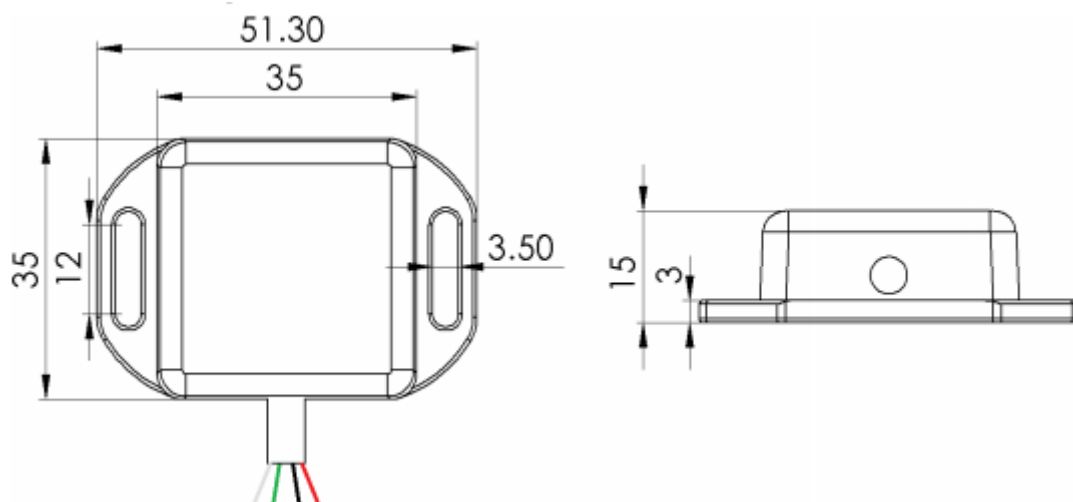
SUPPORTED DEVICES

- iPhone iOS 9.0 or later
- Android 4.4 or later
- All Windows OS versions with BLED112 usb dongle

FEATURES

- RS232 interface which connects EMUS Smartphone Connectivity Module to EMUS G1 Control Unit.
- Low energy BT protocol which allows monitor and configures EMUS G1 Control Unit parameters by smartphone, tablet or Windows PC using BLED112 usb dongle

MECHANICAL INFORMATION





Wire Color	Assignment
Red	PWR
Black	GND
Green	RS232 RX
White	RS232 TX

ELECTRICAL CHARACTERISTICS

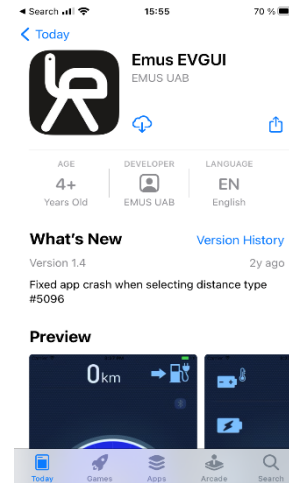
Item	Conditions	Value
Supply voltage		9.0 to 32.0 VDC (24.0 VDC typical)
Power supply reverse polarity protection		Yes
Current consumption	At typical supply voltage	4.4 to 9.0 mA

OTHER SPECIFICATIONS

Item	Value
Smartphone BT protocol version	2.0 + EDR
Communication range	10 m
Operating temperature	-40 to +85°C
IP rating	IP53
Weight	60 g
Cable length	1.5 m



APPLICATIONS



Download on Apple App Store



Get it on Google Play