

# Display Unit (DU012A)

## INTRODUCTION

Emus BMS Display Unit is a device dedicated to monitor battery status and other Emus BMS activity data in real time. It is designed for use indoors having glare-free, high contrast and wide viewing angle display and control knob for accessing various information. Device has RS232 for communication with EMUS BMS Control Unit and Micro USB interface for firmware update.



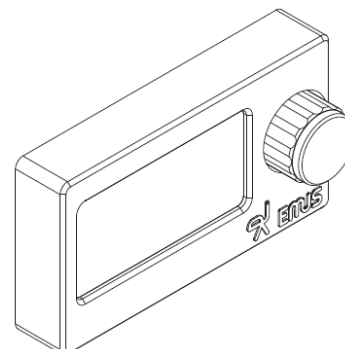
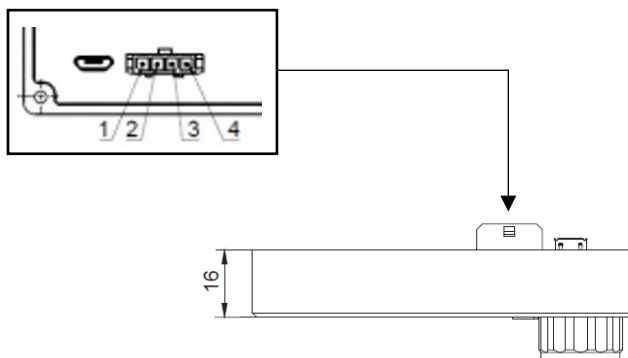
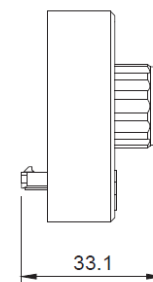
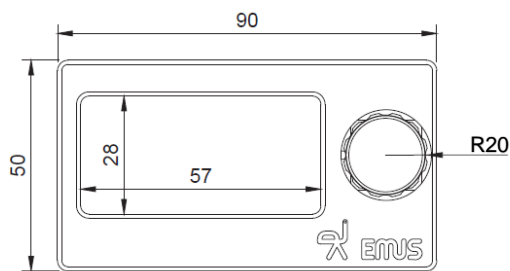
## APPLICATIONS

- Electric vehicles.
- Energy storage

## FEATURES

- RS232 interface for connection to EMUS BMS Control Unit.
- USB interface for connection to Windows OS based PC.
- High contrast and wide viewing angle OLED display.
- Two different interface modes: energy storage and electric vehicle.

## MECHANICAL INFORMATION





Pin No.	Assignment	Mating Housing	Terminal
1	GND	Molex 43645-0400	43030-0003 (recommended crimp tool Molex Hand Crimp Tool P/N: 638190000)
2	RS232 RX		
3	RS232 TX		
4	PWR		

## ELECTRICAL CHARACTERISTICS

Item	Conditions	Value
Supply voltage		9 to 32 VDC (24 VDC typical)
Power supply reverse polarity protection		Yes
Current consumption	Supply voltage = 12 VDC	30 mA
	Supply voltage = 24 VDC	15 mA
USB controller		FT232R

## OTHER SPECIFICATIONS

Item	Value
Operating temperature	-10 to +60 °C
IP rating	IP40
Weight	94 g (158 g with cable)
Display type	OLED
Display color	White
Screen resolution	128 ×64
Screen size	2.42"
Screen brightness	60 - 80 cd/m <sup>2</sup>
Screen contrast	10000:1
Viewing angle	173 °
USB type	USB micro
Cable length	2.0 m