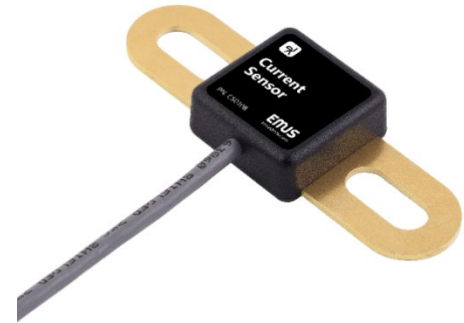


Current Sensor – Bus Bar Type (CS010B)

INTRODUCTION

The Bus Bar type of EMUS G1 Dual Range Current Sensor is designed specifically for use in battery packs that consists of prismatic form factor cells. It doubles as an interconnecting bus bar, and due to the galvanic isolation between the sensor and the conducting part, it can be installed anywhere in the battery pack between two adjacent, series-connected cells.



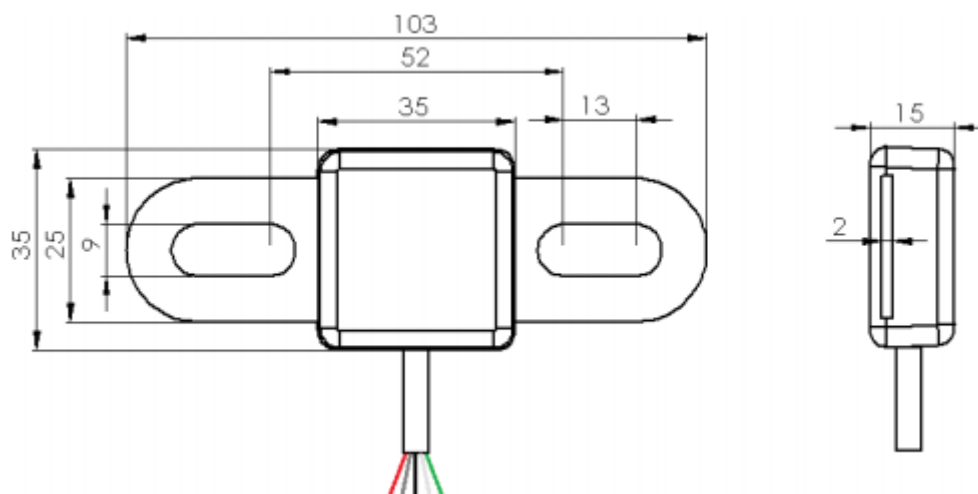
APPLICATIONS

- Specifically designed to be used in EMUS battery management system.
- Recommended for use with prismatic cells.

FEATURES

- Two separate measurement channels with different sensitivity, which allows to accurately measure small currents without sacrificing the range of measurable values.
- The nominal current measuring range is ± 200 A, accuracy reaches 1.0 %.
- Hall-effect current measurement method which provides the characteristic galvanic isolation between the sensor and the conductive part.

MECHANICAL INFORMATION





Wire Color	Assignment
Red	+5V
Grey (shield)	GND
Black	CHANNEL 3
White	CHANNEL 2
Green	CHANNEL 1

ELECTRICAL CHARACTERISTICS

Item	Conditions	Value
Nominal current measuring range		±200A
Peak current measuring range	Short bursts with less than 2% duty	±500 A
Accuracy	When calibrated, at room temperature	1%
Supply voltage		5.0 VDC
Current consumption	At typical supply voltage	21 mA
Conductor resistance		40 µOhm

OTHER SPECIFICATIONS

Item	Value
Operating temperature	-40 to +85 °C
IP rating	IP53
Weight	90 g
Signal cable length	1.5 m