

Product Code: CM060A

## Introduction

**EMUS Cell Module** is the device that measures cell's voltage, temperature, and its own temperature. It broadcasts all measured values to the G1 Control Unit. Also, cell module using previously mentioned values regulates the balancing current to keep cell's voltage lower than the balancing threshold, while at same time keeping its own temperature lower than certain maximum value to protect itself from overheating.



## Applications

- Any lithium chemistry, series connected battery pack up to 80 cells using TOP/BOT isolators or CGM
- Energy storage systems
- Photovoltaics battery systems
- Electric vehicles
- Recommended up to ~225Ah. Higher cell capacity could lead to longer balancing periods

## Features

- Digital I/O, Analog, proprietary serial interface for communication
- Balancing level indicating red LED
- Communication indicating green LED
- Maximum balancing current up to 2.10A

## Mechanical Information

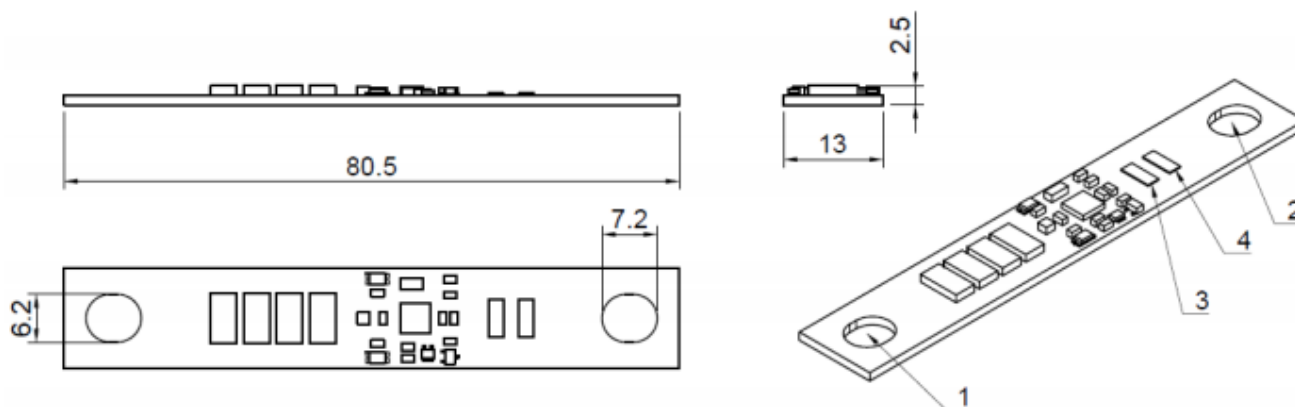


Table 1. CM060A pin assignment

Terminal No.	Assignment
1	CELL +
2	CELL -
3	UP
4	DN

Table 2. Recommended tightening torque

No.	Terminal Bolt type	Recommended tightening torque (Nm)
1	M5	10
2	M6	12
3	M8	14
4	M14	24



# G1 Cell Module – CALB CAM 72Ah Type

Product Code: CM060A

## Electrical Characteristics

Table 3. CM060A electrical characteristics

Item	Value
Operating Voltage	2.0 VDC to 4.55 VDC
Voltage measuring range	2.0 VDC to 4.55 VDC
Voltage measurement resolution	10mV
Voltage measurement error	±10mV
Maximum balancing current	1.95A @ 4.20V*   1.65A @ 3.60V*
Internal temperature measuring range	-40°C to 85°C
Internal temperature measurement resolution	1°C
Internal temperature measurement accuracy	±5°C
External temperature measuring range	-99°C to 154°C
External temperature measurement resolution	1°C
External temperature measurement accuracy	±5°C
Current consumption in active mode, when communication LED is on, supply voltage = 3.60V	3.2 mA
Current consumption in sleep mode, supply voltage = 3.60V	35µA
Balancing resistor resistance	2.05 Ω
Balancing resistor rated power	4 W

\*Maximum balancing current depend on environmental thermal conditions

## Other Specifications

Table 4. CM060A other specifications

Item	Value
Operating temperature	-40°C to +85°C
IP Rating	IP21
Weight	5 g
Dimensions	80.5x13x2.5 mm
Mounting hole	M6
CELL + wire length	0.1m
Communication wire length	0.1m
External temperature sensor type	-
Sleep mode timeout when not balancing	60 ms
Sleep mode timeout when balancing	10 s
Wakeup source	Cell comm. signal edge, watchdog timer timeout (8 s)